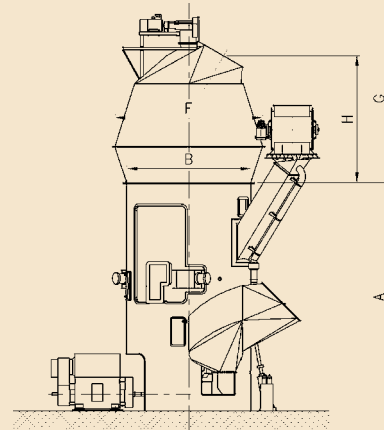
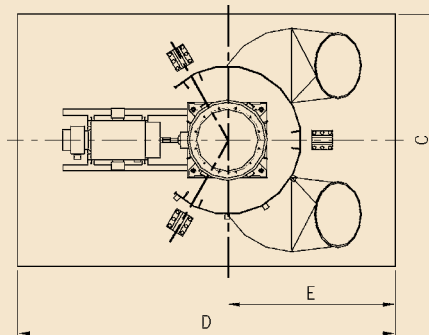


Dimensions and characteristics of ATOX raw mill and separator



Size	ATOX Raw Mill						Separator			
	A mm	B mm	C mm	D mm	E mm	Power minimum installed, kW	F mm	G mm	H mm	Power, minimum installed, kW
25	7115	Ø3550	6000	9200	3000	665	4030	4100	3220	45
27.5	7415	Ø3900	6000	10000	3500	844	4490	4600	3620	56
30	7380	Ø4360	6600	10500	3500	1048	4950	5100	4040	69
32.5	8420	Ø4694	7600	11300	3800	1280	5440	5500	4460	83
35	8920	Ø5050	8600	12400	4300	1541	5960	6100	4930	99
37.5	9855	Ø5380	9600	13400	4800	1832	6460	6600	5380	116
40	9885	Ø5700	9700	14050	4850	2152	6970	7100	5850	136
42.5	11450	Ø5960	10300	15000	5150	2505	7490	7600	6330	156
45	11915	Ø6324	10900	15900	5450	2889	8020	8200	6790	179
47.5	12500	Ø6694	11500	16200	5750	3307	8570	8700	7250	204
50	13000	Ø7070	12000	17150	6000	3760	9130	9200	7780	232
52.5	13800	Ø7440	12700	17860	6350	4248	9690	9800	8290	260
55	14505	Ø7810	13300	18600	6650	4772	10260	10400	8270	292
57.5	15190	Ø8190	13900	19330	6950	5333	10830	11000	9310	326
60	15875	Ø8570	14500	20070	7250	5931	11450	11368	9650	361

Our brochure makes no offers, representations or warranties (express or implied), and information and data contained in this brochure are for general reference only and may change any time. Please contact us for specific information or data that may relate to your interests.



www.flsmidth.com

Up-to-date addresses of worldwide subsidiaries and sales offices are available from our website

DENMARK

FLSmidth A/S
Vigerslev Allé 77
DK-2500 Valby
Copenhagen
Tel: +45 36 18 10 00
Fax: +45 36 30 18 20
E-mail: info@flsmidth.com

USA

FLSmidth Inc.
2040 Avenue C
Bethlehem, PA 18017-2188
Tel: +1 610-264-6011
Tel: +1 800-523-9482
Fax: +1 610-264-6170
E-mail: info-us@flsmidth.com

INDIA

FLSmidth Ltd.
Capital Towers
180, Kodambakkam High Road
Nungambakkam
Chennai 600 034
Tel: +91 - 44-52 191234
Fax: +91 - 44-2827 9393
E-mail: indiainfo@flsmidth.com